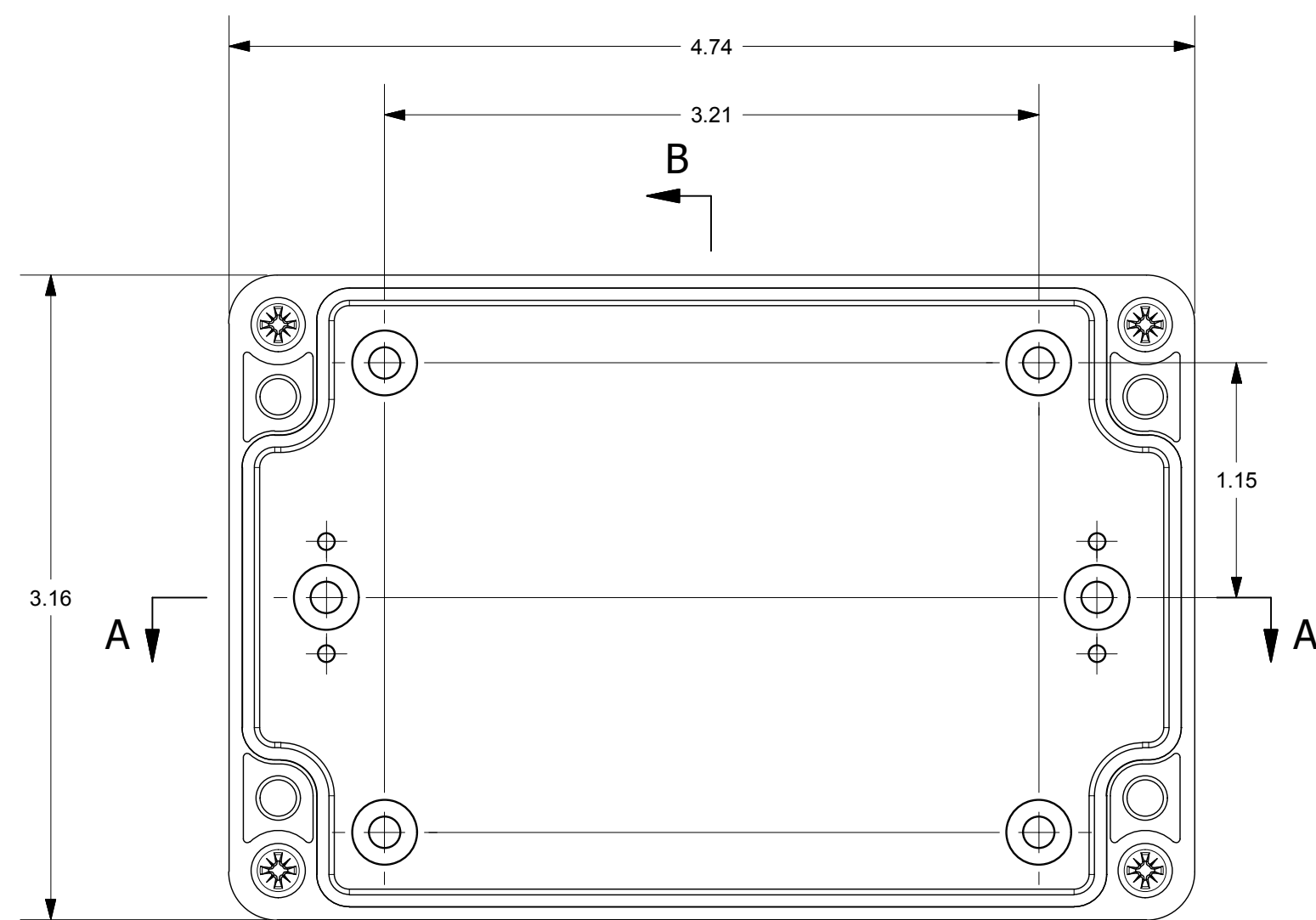
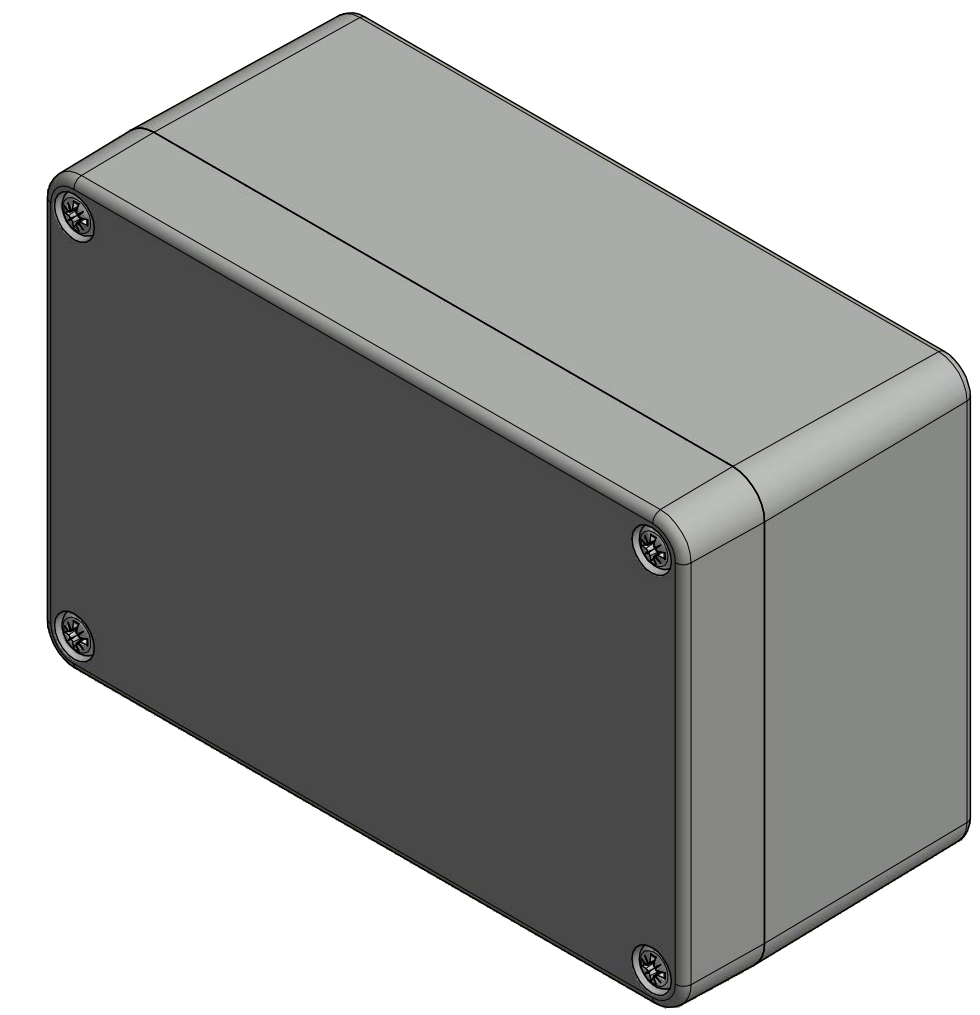
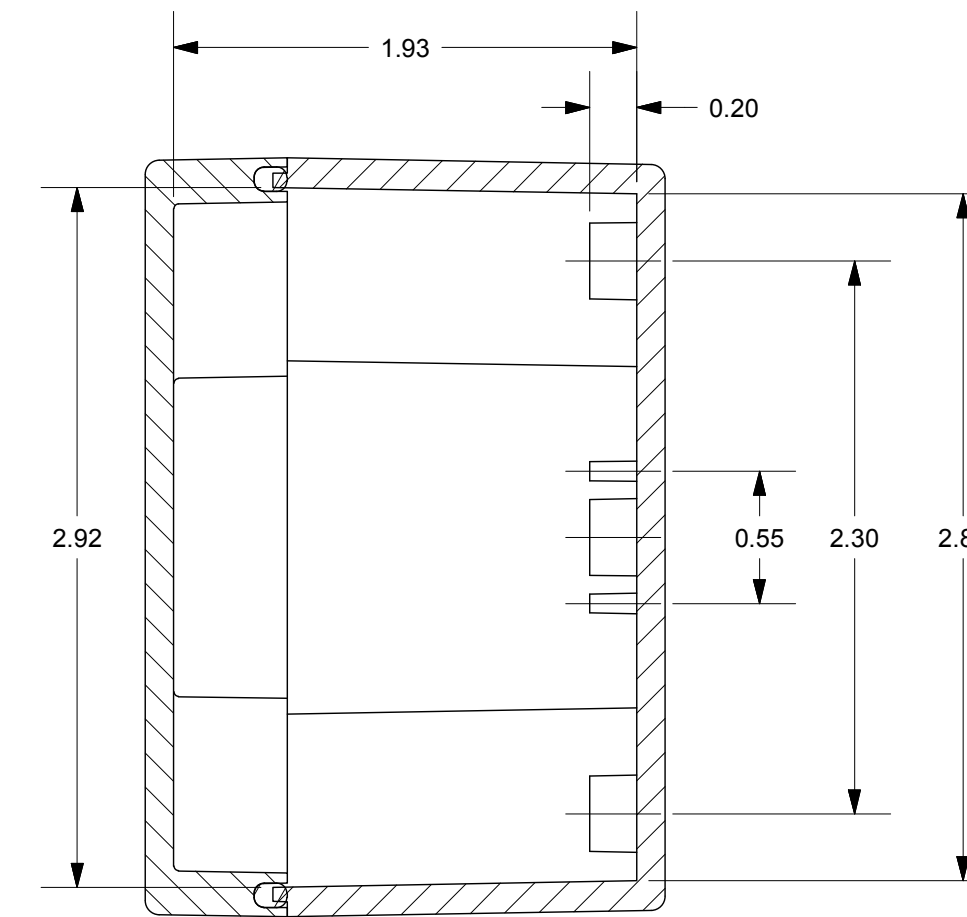


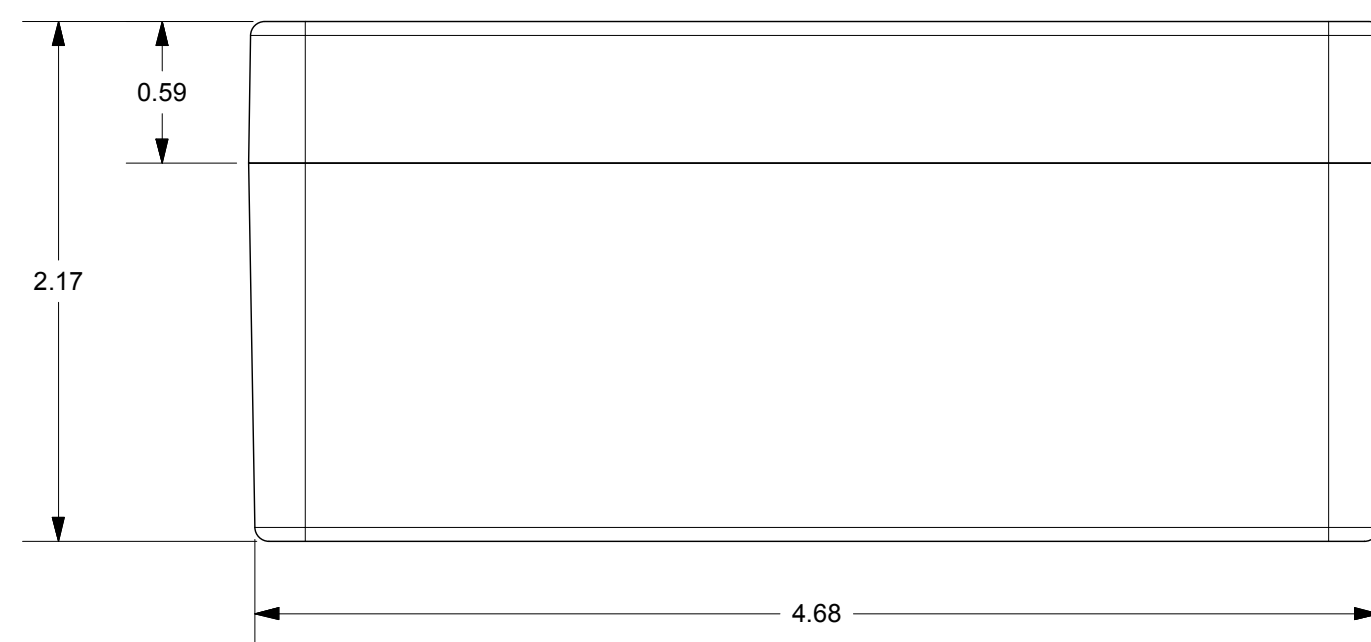
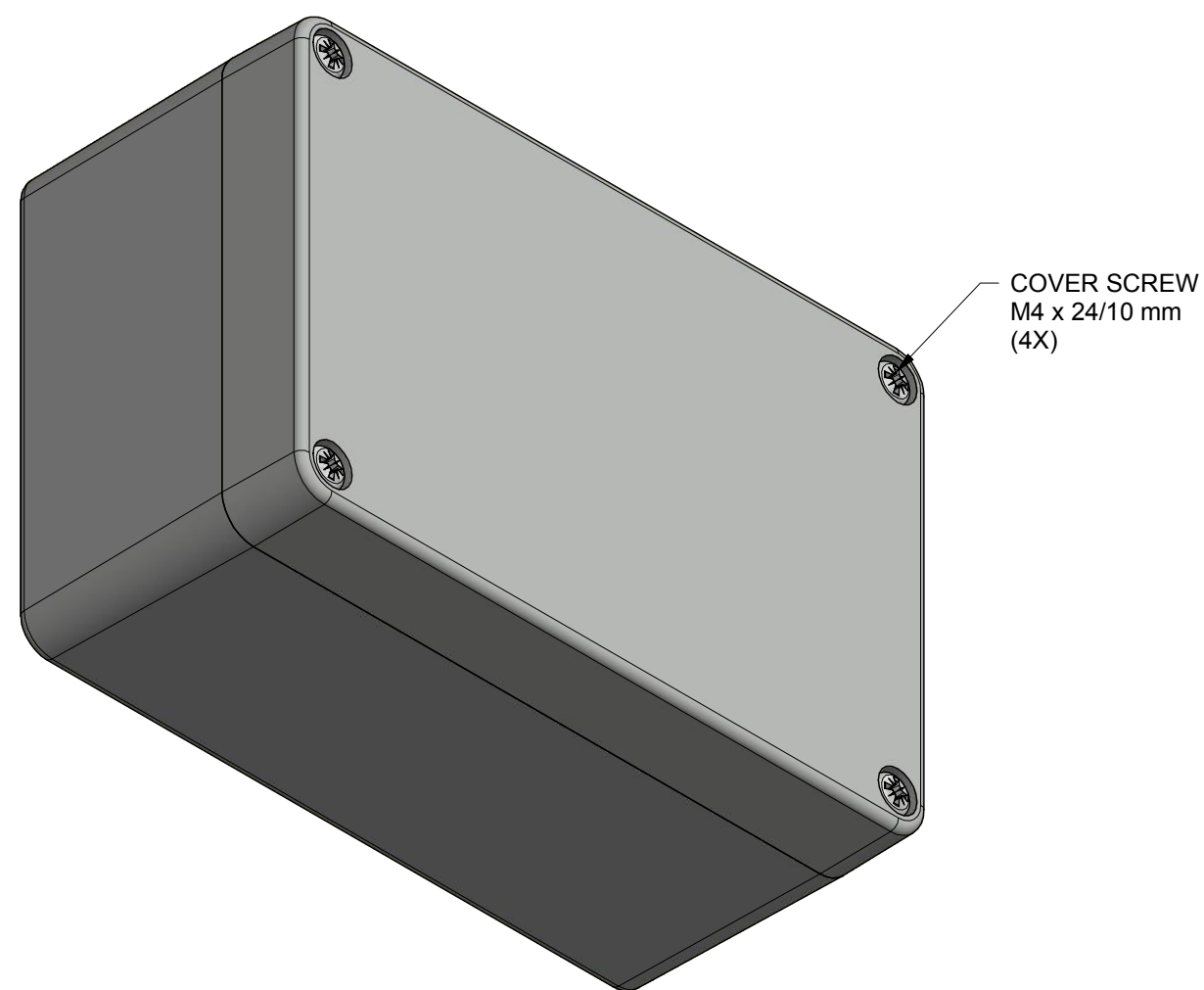
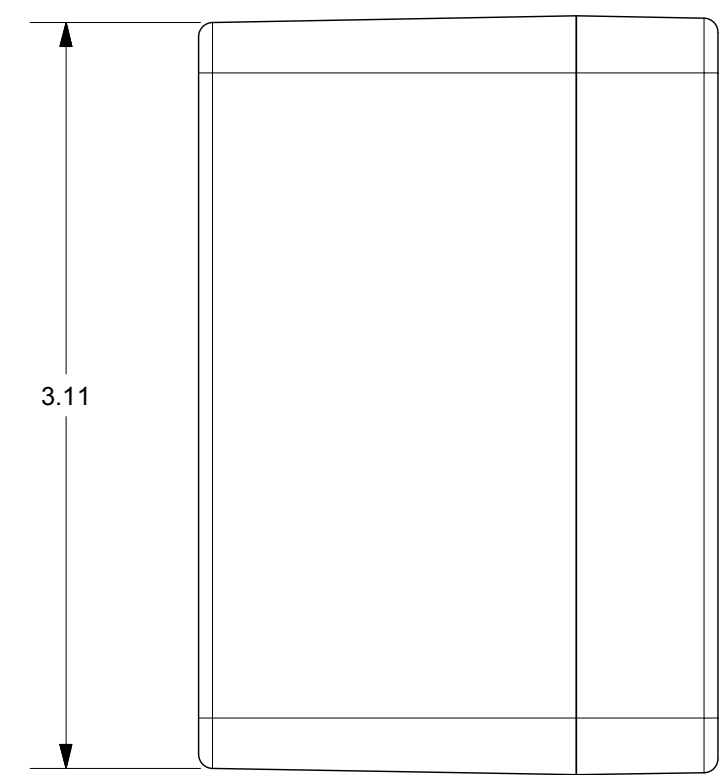
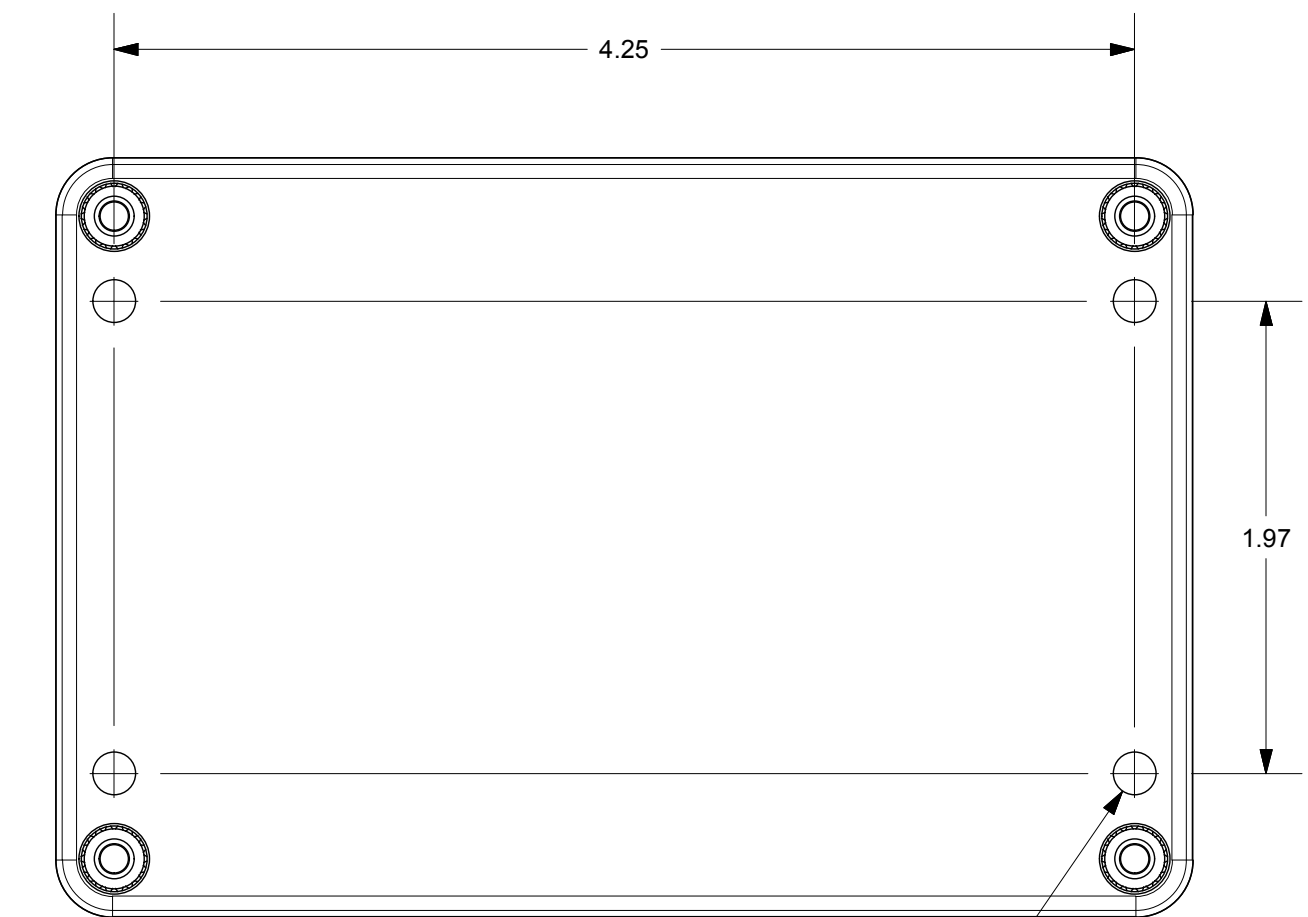
SECTION A-A



WITH COVER REMOVED




SECTION B-B



END USER NOTES:
1. TORQUE COVER SCREWS TO 9-17 IN.-LBS. TO MAINTAIN RATINGS.

THIS DRAWING IS THE SOLE AND EXCLUSIVE PROPERTY OF ROBROY ENCLOSURES. NO PART OF THIS DRAWING MAY BE REPRODUCED, DISTRIBUTED, OR PUBLICALLY DISPLAYED IN ANY FORM OR BY ANY MEANS WITHOUT THE EXPRESS WRITTEN PERMISSION OF ROBROY ENCLOSURES. ALL RIGHTS RESERVED. UNDER THE COPYRIGHT LAWS. COPYRIGHT © 2018 ROBROY ENCLOSURES.

SPECIAL REQUIREMENTS

| | | | | | | |
|---|-------------|---------------------------------|--|--------------------------------|---------------|-----------------|
| NEMA 250: TYPE 1, 3R, 4, 4X, 12 IEC 60529: IP66 COLOR: LIGHT GREY COLOR STANDARD: RAL 7035 | | STANDARD P/N: ST128055W | ALL DIMENSIONS ARE IN INCHES UNLESS OTHERWISE SPECIFIED | TOLERANCES UNLESS SPECIFIED | .XX ± 0.03 | .XXX ± 0.010 |
| MATERIAL: POLYCARBONATE | | CUSTOMER DWG: |  Robroy Enclosures | | | |
| REVISION HISTORY | | | | | | |
| REV | DESCRIPTION | DATE | ENG | | | |
| - | - | - | - | | | |
| - | - | - | - | | | |
| - | - | - | - | | | |
| - | - | - | - | | | |
| - | - | - | - | | | |
| DRAWN BY: E91 | | DATE: 02/08/18 | CUSTOMER: | DWG: ST128055W | | |
| SCALE: DO NOT SCALE | | DESCRIPTION: STANDARD ENCLOSURE | PART NUMBER: FEST128055W | | | |